



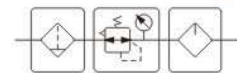
**AC 系列空气过滤组合(三联件) AC 1000~5000系列**  
**AC Combination(F.R.L Combination) AC 1000~5000 Series**



**订购码**  
Ordering code

<b>A</b>	<b>C</b>	<b>4000</b>	-	<b>04</b>	<b>D</b>	<b>N</b>
<b>系列</b> A 系列 <b>Model</b> A Series	<b>功能代号</b> 三联件 <b>Function Code</b> Combination	<b>规格代号</b> <b>Specifications</b> code 1000 2000 2500 3000 4000 5000		<b>接管口径</b> <b>Port size</b> M5:M5×08 01:G1/8" 02:G1/4" 03:G3/8" 04:G1/2" 06:G3/4" 10:G1"	<b>排水方式</b> 空白:差压排水 D:自动排水 <b>Drain type</b> Blank:Differential drain D:Automatic drain	<b>空白:标准型</b> N:金属杯 Blank:Standard N: Metal cup

**符号**  
Symbol



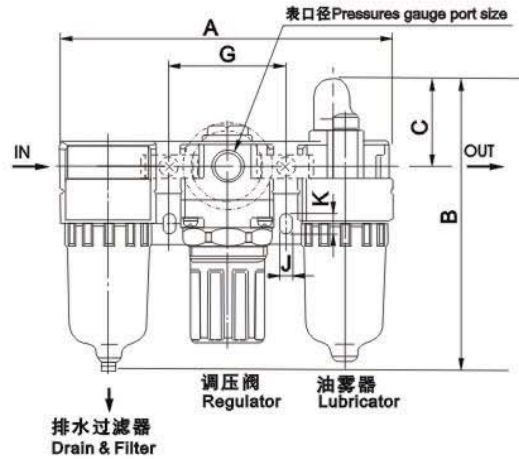
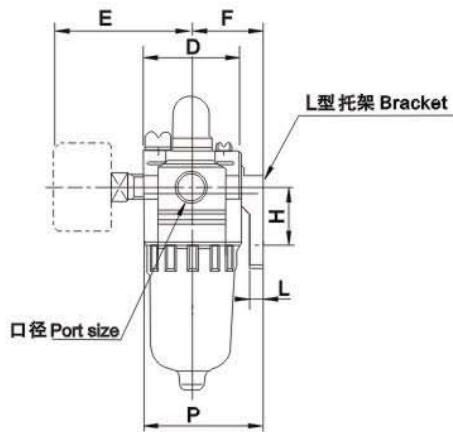
**规格**  
Specifications

型号	Model	AC1000 -M5	AC2000 -01	AC2000 -02	AC2500 -02	AC2500 -03	AC3000 -02	AC3000 -03	AC4000 -03	AC4000 -04	AC4000 -06	AC5000 -06	AC5000 -10
额定流量	Rated flow (L/min)	90	500	500	1500	1500	2000	2000	4000	4000	4500	5000	5000
接管口径	Port size	M5	G1/8"	G1/4"	G1/4"	G3/8"	G1/4"	G3/8"	G3/8"	G1/2"	G3/4"	G3/4"	G1"
过滤精度	Nominal filtration rating	25 μm											
最高工作压力	Max. operating pressure	1.0MPa											
保证耐压力	Proof pressure	1.5MPa											
使用温度范围	Operating temperature range	5~60℃											
调压范围	Set regulating range	0.05~0.7MPa	0.05~0.85MPa										
建议用油	Recommended lubricant	ISO VG 32											
容量材料	Bowl material	聚碳酸酯 PC											
防护罩	Bowl guard	有 Available						无 Not Available					
放水器功能	Drain function	差压排水 Pressure Drain						差压排水、自动排水 Pressure Drain、auto Drain					
阀型	Regulator construction	带溢流型 Relieving type											
构成元件 Assembly	过滤器 Filter	AF1000 -M5	AF2000 -01	AF2000 -02	AF2500 -02	AF2500 -03	AF3000 -02	AF3000 -03	AF4000 -03	AF4000 -04	AF4000 -06	AF5000 -06	AF5000 -10
	减压阀 Regulator	AR1000 -M5	AR2000 -01	AR2000 -02	AR2500 -02	AR2500 -03	AR3000 -02	AR3000 -03	AR4000 -03	AR4000 -04	AR4000 -06	AR5000 -06	AR5000 -10
	油雾器 Lubricator	AL1000 -M5	AL2000 -01	AL2000 -02	AL3000 -02	AL3000 -03	AL3000 -02	AL3000 -03	AL4000 -03	AL4000 -04	AL4000 -06	AL5000 -06	AL5000 -10

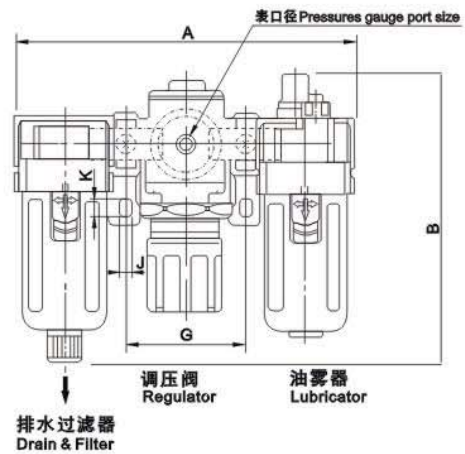
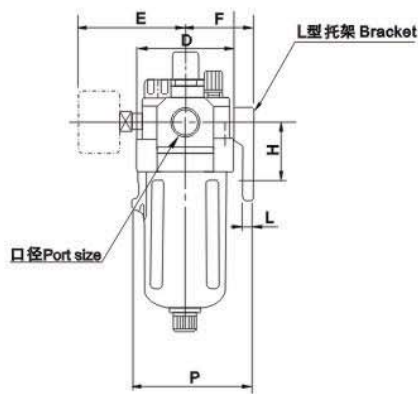
**AC 系列空气过滤组合(三联件) AC 1000~5000系列**  
**AC Combination(F.R.L Combination) AC 1000~5000 Series**

尺寸  
Dimensions

AC 1000 ~ 2000



AC 2500 ~ 5000



型号 Model	口径 Port size G	A	B	C	D	E	F	G	H	J	K	L	M	N	P
AC1000	M5'	91	84.5	25.5	25	26	25	33	20	4.5	7.5	5	17.5	16	38.5
AC2000	G1/8"-G1/4"	140	125	38	40	56.8	30	30	24	5.5	8.5	5	22	23	50
AC2500	G1/4"-G3/8"	181	156.5	38	53	60.8	41	64	35	7	11	7	34.2	26	70.5
AC3000	G1/4"-G3/8"	181	156.5	38	53	60.8	41	64	35	7	11	7	34.2	26	70.5
AC4000	G3/8"-G1/2"	238	191.5	41	70	65.5	50	84	40	9	13	7	42.2	33	88
AC4000-06	G3/4"	253	193	40.5	70	69.5	60	89	40	9	13	7	46.2	36	88
AC5000	G3/4"-1"	300	271.5	48	90	75.5	69.8	105	50	12	16	10.5	55.2	40	115