



QTY 系列减压阀
QTY Series Regulator



订购码
Ordering code



气动辅件
Pneumatic
accessory

-

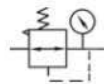


减压阀
Relief
valve



公称直径
Nominal
diameter

符号
Symbol



技术参数
Technical data

型号	Model	QTY-6	QTY-8	QTY-10	QTY-15	QTY-20	QTY-25	QTY-40
使用温度范围	Operating temperature range				5 ~ 60°C			
公称输入压力	Nominal in out pressure				1.0MPa			
过滤精度	Filtering accuracy				0.63 μM			
水分离效果	Water separation effect				0.05% ~ 0.63%			

压力降-空气流量表
Pressure

型号 Model	进口压力为1MPa,出口压力降为0.05MPa,最大流量应不小于下列值 The entrance pressure is 1MPa,the exit pressure is reduced to 0.05MPa,the max flow-rate will not less than the following value.			
	空气流量L/min Air flow-rate			
	进口压力/MPa Entrance pressure			
	0.25	0.4	0.63	0.8
QTY-6	100	120	160	190
QTY-8	680	770	560	900
QTY-10	720	860	1000	1100
QTY-15	900	1100	1200	1300
QTY-20	1650	1800	1980	2100
QTY-25	1900	2250	2450	2550
QTY-40	2150	2700	2920	3200

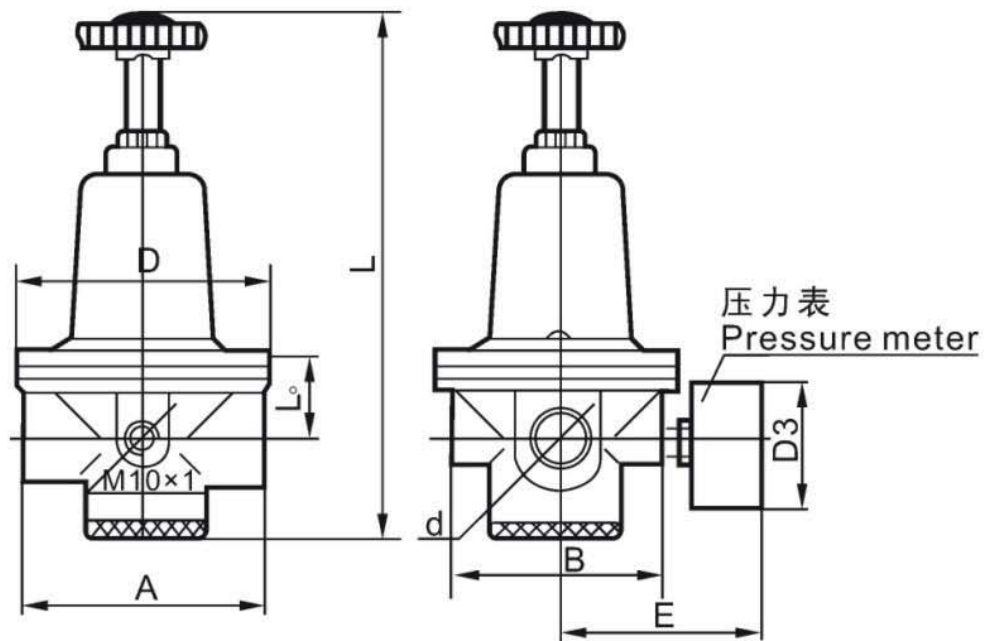
QTY 系列减压阀

QTY Series Regulator

尺寸

Dimensions

QTY 系列减压阀
QTY Series Regulator



型号 Model	接管口径 Port size	A	D	D ₁	D ₂	L ₀	L ₁	L
QTY-6	G1/8'	80	Φ64	Φ80	Φ58	16	80	173
QTY-8	G1/4'							
QTY-10	G3/8'	60	Φ64	Φ80	Φ58	21	80	181
QTY-15	G1/2'							
QTY-20	G3/4'	108	Φ105	Φ120	Φ58	30	100	250
QTY-25	G1'							
QTY-40	G1/2'	130	Φ104	Φ120	Φ58	40	100	280