



K 系列截止型电磁阀气控阀 (二位三通)
K Series 3/2 Solenoid Stop Valve



产品结构为截止式, 抗尘能力强。
Product structure: cut-off structure with powerful anti-dsut performance

订购码
Ordering code

K23J

规格
K 系列二位三通截止式气动换向阀
Specification
K series 3/2 way solenoid stop valve

D

控制方式
D: 双电控
K: 双气控
Control methods
D: Double electronic control
K: Double pneumatic control

F

连接方式
F: 法兰
空白: 板式
Connecting type
F: Flange
Blank: The plate fitting type

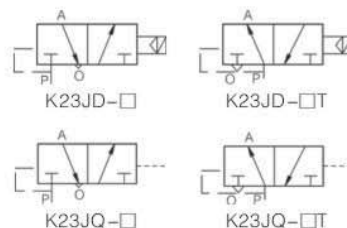
8

接管口径
Port size
6: G1/8" (M10 × 1)
8: G1/4" (M12 × 1.25)
10: G3/8" (M16 × 1.5)
15: G1/2" (M20 × 1.5)
20: G3/4" (M27 × 2)
25: G1/4" (M33 × 2)
32: G1/4" (M42 × 2)
40: G1/2" (M48 × 2)
50: G2" (M60 × 2)

T

空白: 常闭
T: 常通
Blank: constant closing
T: constant opening

符号
Symbol



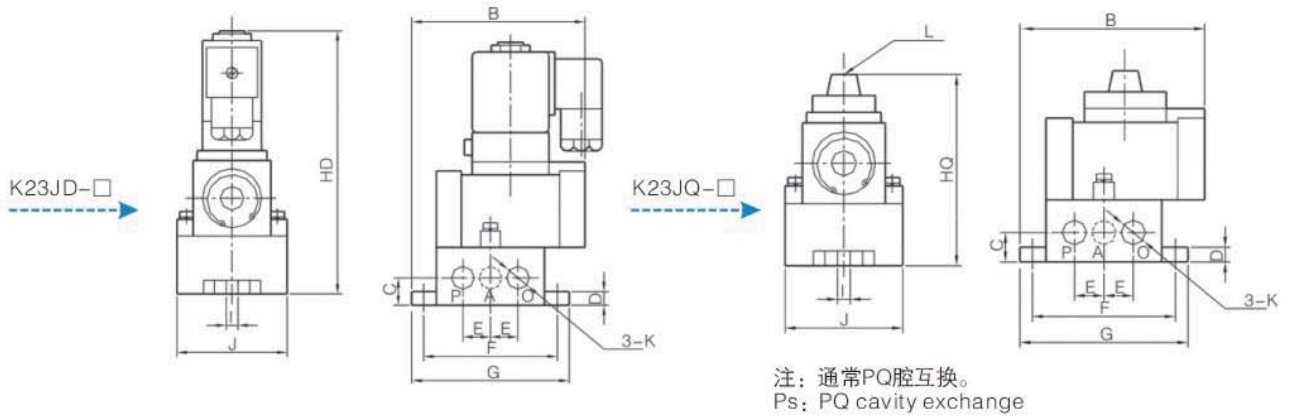
规格
Specifications

参数 Parameter	订购码 Ordering code	K23JD-6 K23JD-6T K23JQ-6	K23JD-8 K23JD-8T K23JQ-8	K23JD-10 K23JD-10T K23JQ-10	K23JD-15 K23JD-15T K23JQ-15	K23JD-20 K23JD-20T K23JQ-20	K23JD-25 K23JD-25T K23JQ-25	K23JD-F32 K23JD-F32T K23JQ-F32	K23JD-F40 K23JD-F40T K23JQ-F40	K23JD-F50 K23JD-F50T K23JQ-F50
公称通径 mm Nominal diameter		6	8	10	15	20	25	32	40	50
工作压力范围 Mpa Working pressure range		0.15~0.8								
泄漏量 cm ³ /min Leakage rate		≤10	≤10	≤10	≤25	≤25	≤50	≤50	≤70	≤70
换向时间 S Reversing time		≤0.04	≤0.04	≤0.06	≤0.06	≤0.1	≤0.1	≤0.15	≤0.15	≤0.2
换向频率 Hz Commutating frequency		≥10	≥10	≥8	≥8	≥4	≥4	≥3	≥3	≥2
环境温度 °C Ambient temperature		-10~55								
介质温度 °C Fluid temperature		-5~50								
流通能力 S值 mm ³ Negotiability		≥10	≥20	≥40	≥60	≥120	≥190	≥300	≥400	≥650
寿命 千次 / Thousands Life		≥1500								
电源电压 V Power consumption		AC:220,110,36 DC:48,24,12 电压被动允许为额定值的+10%~-15%气控无本项参数 AC:220,110,36 DC:48,24,12 Voltage is allowed to set as rated voltage+10%~-15%Null parameter in pneumatics								

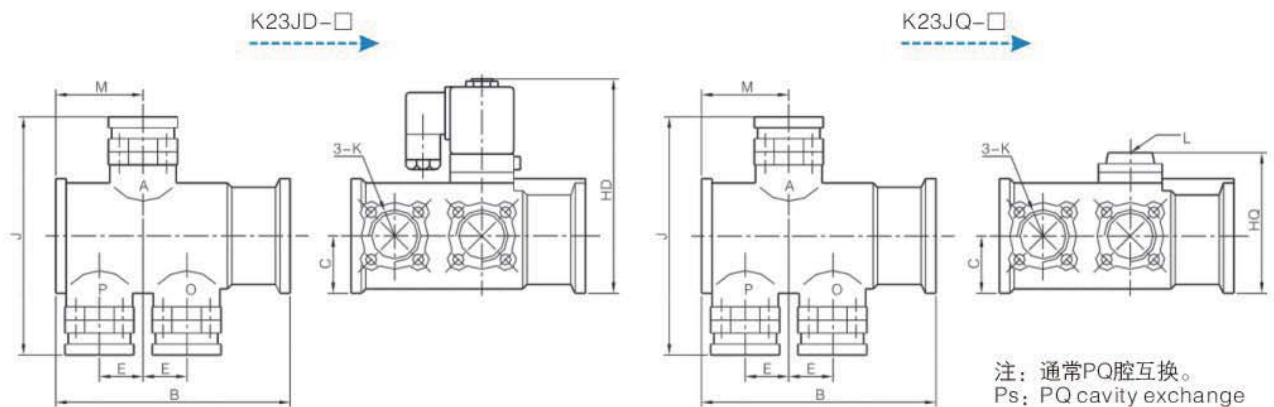
K 系列截止型电磁阀气控阀 (二位三通)

K Series 3/2 Solenoid Stop Valve

尺寸 Dimensions



型号 Model	接管口径 Port size	B	C	D	E	F	G	HD	HQ	I	J	L
K25JD-6□ K25JQ-6□	G1/8" (M10×1)	90	14	7	14	68	80	134	91	7	56	G1/8
K23JD-8□ K23JQ-8□	G1/4" (M12×1.25)											
K23JD-10□ K23JQ-10□	G3/8" (M16×1.5)	161	19	10	19	86	100	155	111	7	64	
K23JD-15□ K23JQ-15□	G1/2" (M20×1.5)											
K23JD-20□ K23JQ-20□	G3/4" (M27×2)	241	30	30	30	130	162	218	149	11	100	
K23JD-25□ K23JQ-25□	G1" (M33×2)											



型号 Model	接管口径 Port size	B	C	E	HD	HQ	J	L	M
K23JD-F32□ K23JQ-F32□	G1/4" (M42×2)	215	52.5	40	197	130.5	218	G1/8	80
K23JD-F40□ K23JQ-F40□	G1/2" (M48×2)	215	52.5	40	197	130.5	218		80
K23JD-F50□ K23JQ-F50□	G2" (M60×2)	265	65	45	222	155	258		101



K 系列截止型电磁阀气控阀 (二位三通)
K Series 5/2 Solenoid Stop Valve



订购码
Ordering code

K23J

规格
K 系列二位三通截止式电磁阀
Specification
K series 3/2 way solenoid stop valve

D

控制方式
D:电控
Q:气控
Control methods
D:Electronic control
Q:Pneumatic control

8

接管口径
Port size
8:G1/4"
10:G3/8"
15:G1/2"
20:G3/4"
25:G1

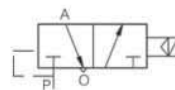
T

空白:常闭
T:常通
Blank: constant closing
T: constant opening

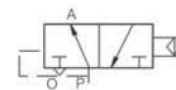
W

形式
W型
Type
W type

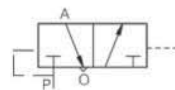
符号
Symbol



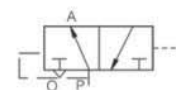
K23JD-□W



K23JD-□TW



K23JQ-□W



K23JQ-□TW

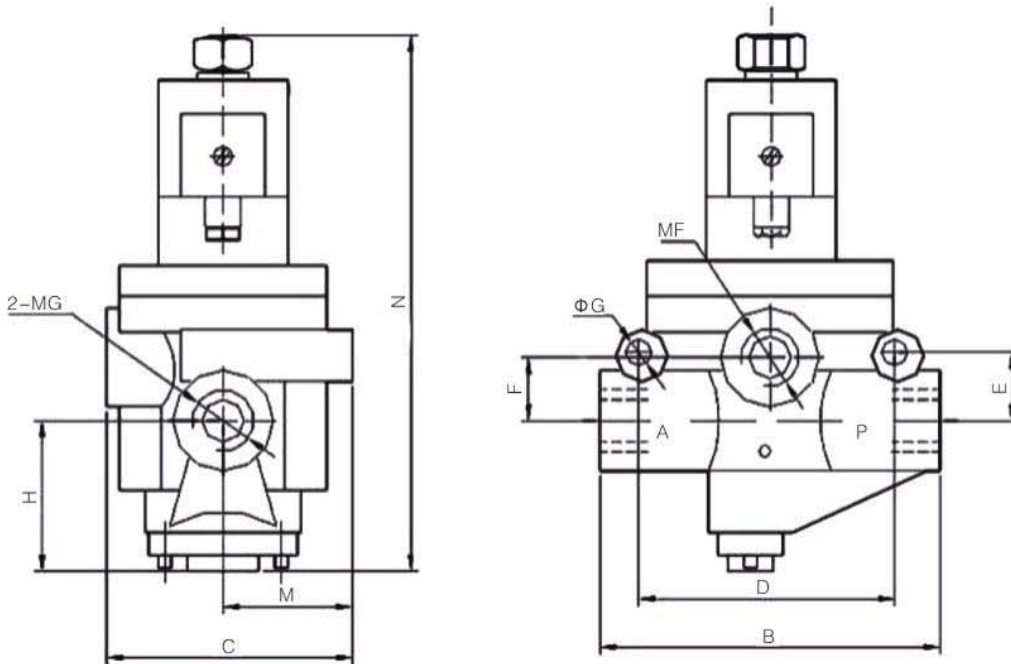
规格
Specifications

参数 Parameter	订购码 Ordering code	K23JD-8W K23JD-8TW	K23JD-10W K23JD-10TW	K23JD-15W K23JD-15TW	K23JD-20W K23JD-20TW	K23JD-25W K23JD-25TW
公称通径 mm Nominal diameter		8	10	15	20	25
流通能力 S值mm ³ Negotiability		20	40	60	110	190
泄漏量 cm ³ /min Leakage rate		100			200	
工作压力范围 Mpa Working pressure range		0.2~0.8				
电源电压 V Power consumption		AC:220,110,36 DC:36,24,12 电压被动允许为额定值的+10%~-15% AC:220,110,36 DC:36,24,12 Voltage is allowed to set as rated voltage+10%~-15%				
环境温度 °C Ambient temperature		-5~60				
寿命 千次 / Thousands Life		≥1500				

K 系列截止式电磁阀气控阀 (二位三通)

K Series 3/2 Solenoid Stop Valve

尺寸 Dimensions



型号 Model	B	C	D	E	F	G	H	M	MG	MF	N
K23JD-8W K23JD-8TW	96	78	73	17	16.5	9	45	39	G1/4'	G1/2'	170
K23JD-10W K23JD-10TW									G3/8'	G1/2'	
K23JD-15W K23JD-15TW									G1/2'	G1/2'	
K23JD-20W K23JD-20TW	113	89	82	24	21	9	52	38	G3/4	G1	190
K23JD-25W K23JD-25TW									G1'	G1'	