



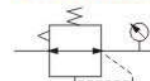
AR 系列减压阀 AR 1000~5000系列
AR Regulator AR 1000~5000 Series



订购码
Ordering code

A	R	4000	-	04
系列 A 系列 Model A Series	功能代号 减压阀 Function Code Regulator	规格代号 Specifications code 1000 2000 2500 3000 4000 5000		接管口径 Port size M5:M5×08 01:G1/8" 02:G1/4" 03:G3/8" 04:G1/2" 06:G3/4" 10:G1"

符号
Symbol



规格
Specifications

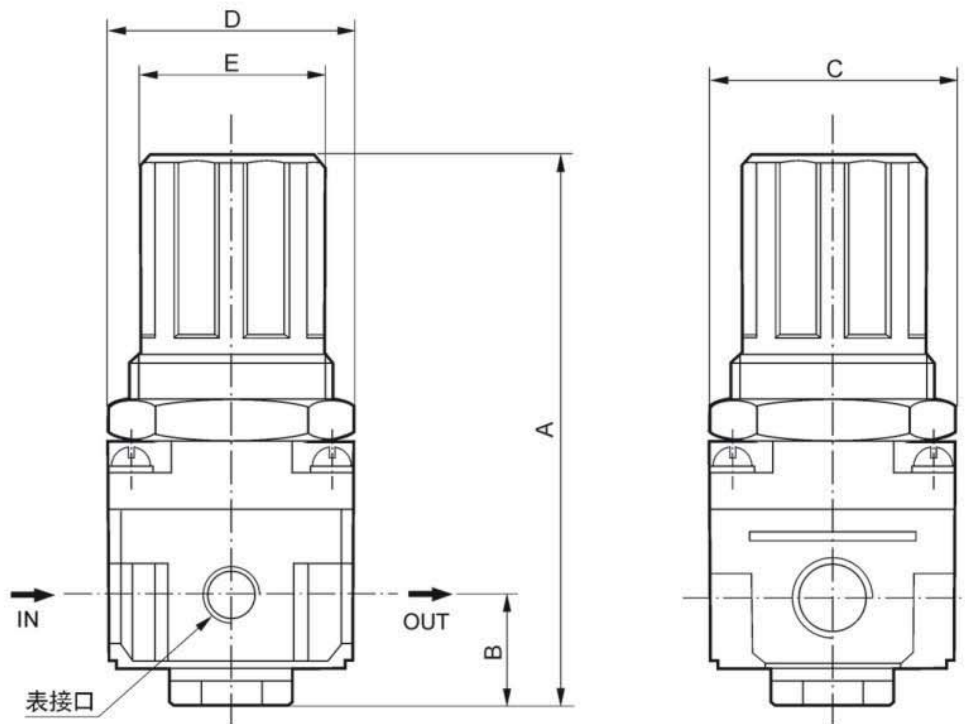
型号	Model	AR 1000 -M5	AR2000 -01	AR2000 -02	AR2500 -02	AR2000 -03	AR3000 -02	AR3000 -03	AR4000 -03	AR4000 -04	AR4000 -06	AR5000 -06	AR5000 -10
额定流量	Rated flow (L/min)	110	550	550	2000	2000	1500	1500	4000	6000	6000	8000	8000
接管口径	Port size	M5	G1/8"	G1/4"	G1/4"	G3/8"	G1/4"	G3/8"	G3/8"	G1/2"	G3/4"	G3/4"	G1"
最高工作压力	Max. operating pressure	1.0MPa											
保证耐压力	Proof pressure	1.5MPa											
使用温度范围	Operating temperature range	5~60℃											
调压范围	Set regulating range	0.05~0.7MPa		0.05~0.85MPa									
阀型	Regulator construction	带溢流型 Relieving type											

AR 系列减压阀 AR 1000~5000系列

AR Regulator AR 1000~5000 Series

尺寸
Dimensions

AR 1000 ~ 5000



型号 Model	口径 Port size G	A	B	C	D	E
AR1000	M5'	61.5	11	25	25	28
AR2000	G1/8'-1/4'	95	17	40	40	34
AR3000	G1/4'-3/8'	102.5	25	48	53	34
AR4000	G3/8'-1/2'	127.5	35	53	53	40
AR4000-06	G3/4'	149.5	37.5	70	70	54
AR5000	G3/4'-1'	154	40.5	70	75	54
AR5000	G3/4'-1'	168	48	90	90	54