



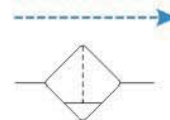
AL 系列油雾器 AL 1000~5000系列
AL Lubricator AL 1000~5000 Series



订购码
Ordering code

| | | | | | |
|---------------------------------|--|--|---|---|---|
| A | L | 4000 | - | 04 | N |
| 系列 A 系列 Model A Series | 功能代号 油雾器 Function Code Lubricator | 规格代号 Specifications code 1010 2010 3010 4010 5010 | | 接管口径 Port size M5:M5×08 01:G1/8" 02:G1/4" 03:G3/8" 04:G1/2" 06:G3/4" 10:G1" | 空白:标准型 N:金属杯 Blank:Standard N: Metal cup |

符号
Symbol



规格
Specifications

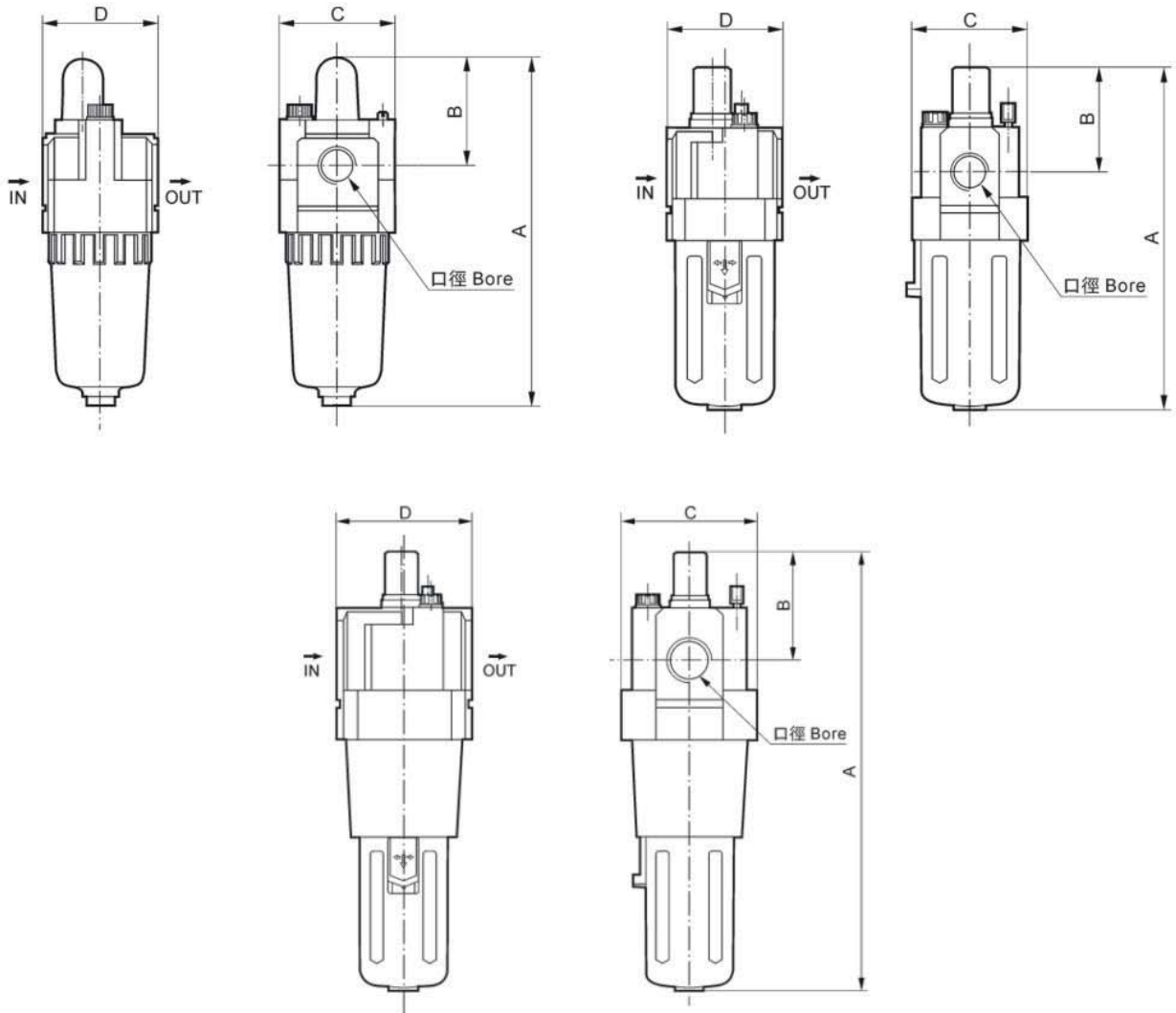
| 型号 | Model | AL1000-M5 | AL2000-01 | AL2000-02 | AL3000-02 | AL3000-03 | AL4000-03 | AL4000-04 | AL4000-06 | AL5000-06 | AL5000-10 |
|--------|-----------------------------|-------------|-----------|-----------|-----------|-----------|-----------------|-----------|-----------|-----------|-----------|
| 额定流量 | Rated flow (L/min) | 95 | 800 | 800 | 1700 | 1700 | 5000 | 5000 | 6300 | 7000 | 7000 |
| 接管口径 | Port size | M5 | G1/8" | G1/4" | G1/4" | G3/8" | G3/8" | G1/2" | G3/4" | G3/4" | G1" |
| 最高工作压力 | Max. operating pressure | 1.0MPa | | | | | | | | | |
| 保证耐压 | Proof pressure | 1.5MPa | | | | | | | | | |
| 使用温度范围 | Operating temperature range | 5~60℃ | | | | | | | | | |
| 建议用油 | Recommended lubricant | ISO VG 32 | | | | | | | | | |
| 容量材料 | Bowl material | 聚碳酸酯 PC | | | | | | | | | |
| 防护罩 | Bowl guard | 有 Available | | | | | 无 Not Available | | | | |

AL 系列油雾器 AL 1000~5000 系列

AL Lubricator AL 1000~5000 Series

尺寸 Dimensions

AL 1000~5000



| 型号 Model | 口径 Port size G | A | B | C | D | E |
|-----------|----------------|-------|------|----|----|----|
| AW1000 | M5* | 109.5 | 50.5 | 25 | 28 | 28 |
| AW2000 | G1/8'-G1/4' | 164.5 | 78 | 40 | 40 | 34 |
| AW3000 | G1/4'-G3/8' | 211 | 92.5 | 53 | 53 | 40 |
| AW4000 | G3/8'-G1/2' | 262 | 112 | 70 | 70 | 54 |
| AW4000-06 | G3/4' | 267 | 114 | 70 | 70 | 54 |
| AW5000 | G3/4'-G1* | 338 | 116 | 90 | 90 | 54 |